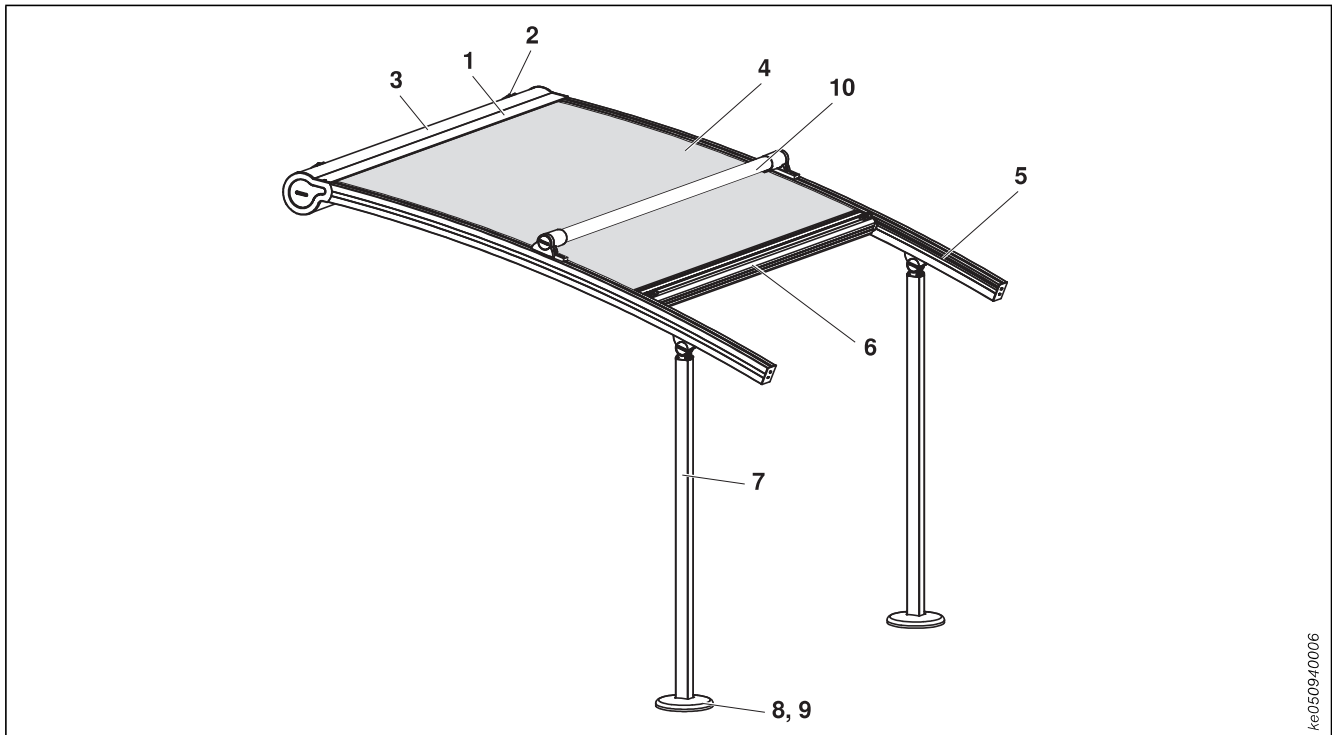


Description

Pergola awning Perea P40



ke0509/0006

fig. 171: Pergola awning P40

- 1 Cover panel
- 2 Wall console
- 3 Shaft
- 4 Fabric
- 5 Lateral guidance with secudrive®
- 6 Front rail
- 7 Poles
- 8 Pole attachment
- 9 Base cover (optional)
- 10 Reinforcement profile

Application

Reliable, large-area sun shading system for shading residential and commercial areas.

The curtain is guided by the innovative secudrive® guide, which makes the use of curved guide rails possible for the first time without additional guiding tubes. The full-area guidance eliminates light gaps on the side of the curtain. Can also be used under certain conditions as rain protection.

Ground installation with frost-proof, on-site foundation, dimensions (HxWxL) 600 x 600 x 800 mm. Optional ground installation with on-site KRINNER ground screw.

Operation

Basic motor, 230 V, 50 Hz

WM REA with electronic limit switch-off (optionally with EWFS/WMS Plug receiver)

WMS radio motor, 230 V, 50 Hz (optional)

WMS-PM with electronic limit switch-off

More information about drives from page 275.

Cover (1)

Material: aluminium, extruded
 Dimensions (WxH): 210x180 mm
 Surface: powder-coated
 Fixing: by means of wall console/ceiling console/console for rafters

Console (2)

Wall, ceiling and rafter installation
 Material: aluminium, extruded
 Surface: powder-coated

Shaft (3)

Fabric shaft

Material: aluminium
 Material thickness: 1.6 mm
 Dimensions (Ø): 86.2 mm
 Profile: round profile
 Surface: plain

Motor shaft

Material: aluminium
 Material thickness: 1.6 mm
 Dimensions (Ø): 70 mm
 Profile: groove tube
 Surface: plain

Fabric (4)

Fabric qualities: Standard/Lumera acrylic fabric
 Perfora/All Weather acrylic fabric
 Soltis 92 fabric
 Twilight Pearl/Metal
 More information about the fabrics, see page 266

Description

Pergola awning Perea P40

Designs: according to current WAREMA awning collection

Special fabrics not included in our current awning collection are only available upon request and at a surcharge.

Lateral guidance (5)

with secudrive® in guide rail

Models: curved or straight
Material: aluminium, extruded
Dimensions (WxH): 80x65 mm
Surface: powder-coated

A spring steel strip guides the fabric directly in the guide rail.

Front rail (6)

Material: aluminium, extruded
Dimensions (WxH): 113x74 mm
Surface: powder-coated

Fixing and connecting parts

within the awnings

Material: A2 steel or aluminium

Poles (7)

Material: aluminium, extruded
Dimensions: 45x60 mm
Max. height: 2500 mm
Surface: powder-coated
Offset: 1/3 of order depth;
max. 1200 mm
min. 105 mm (straight and curved guide rails)

Ground installation with frost-proof, on-site foundation, dimensions (HxWxL) 600 x 600 x 800 mm. Optional ground installation with on-site KRINNER ground screw, see page 112.

Floor connection pole (8)

Material: steel, galvanised
Dimensions Ø: 200x6 mm
Surface: powder-coated

Base cover (optional) (9)

Material: cast aluminium
Dimensions Ø: 240 mm, height 34 mm
Surface: powder-coated

Reinforcement profile (10)

For a curved guide rail with an order depth of 1401 mm and above and for a straight guide rail of 4001 mm and above, a fixed (standard) or travelling (option) reinforcement profile is required and is located at the centre, at half of the order depth.

Dimensions (Ø): 60 mm
Material: aluminium, extruded
Surface: powder-coated

Weight

approx. 15 kg/m of cover panel without consoles, without guide rails and poles.

Wall connection profile (optional)

Sealing between cover panel and wall

Material: aluminium, extruded
Dimensions (WxH): 179 x 15 mm
Surface: powder-coated

Rain protection (optional)

To allow water to run off the pergola awning P40 there are the following options

- Drainage via drainage cutouts in the fabric
- Drainage via lowerable poles

Please refer to the following pages for details. Small amounts of residual water can cause smudges at the edges of awnings. Even if the model is used for rain protection, it may be that water droplets penetrate e.g. the puncture sites of the seams at certain points.

The pergola awning P60 offers additional rain protection (separate document).

Checklist

- Provide drawings of the pergola awning and/or the patio or provide a sketch and also a photo (if possible)
- Fabric colour
- Frame colour
- Determine position of drive (operation side of cover panel in direction of movement)
- Arrange for supply line on-site
- Arrange for housing of plug-in connector
- Pergola awnings require planning permission, depending on their overall size and the local regulations

Colours

Powder coating of aluminium parts with chrome-free pre-treatment according to valid RAL CLASSIC colour chart (except camouflage and luminous colours) or in six DB colours as well as eight textured colours, four anodised-look colours (WC31 – WC34) and further colours according to WAREMA Colour World (in WAREMA colour specification). Other colour specifications and special colours are available on request and are subject to surcharge.

Accessories

WMS sensor system

Fully automatic control according to wind, photo and rain, page 218.

For additional accessories, see page 215.

Safety instructions

- It is imperative that the installation instructions and the relevant appendices are adhered to.
- Accident prevention regulations from trade associations must be observed.
- Specifications of the manufacturers of screw anchors and fixing materials must be observed.
- The fixing points have to be checked once a year!

Construction limit values

Pergola awning Perea P40

Construction limit values in mm

	Type of fabric	Model	
		Curved guide rail	Straight guide rail
Max. order width	Acrylic – all qualities –	6500	6500
	Soltis 92 fabric	-	3500
	Twilight Pearl/Metal	4500	4500
Min. order width	Acrylic – all qualities –	950	950
	Soltis 92 fabric	-	950
	Use as rain protection with lowerable pole	3000	3000
	Twilight Pearl/Metal	950	950
Max. order depth	Acrylic – all qualities –	5000	5000
	Soltis 92 fabric	-	7000 ¹⁾
	Twilight Pearl/Metal	5000	6000 ²⁾
Min. order depth	Acrylic – all qualities –	800	800
	Soltis 92 fabric	-	800
	Use as rain protection with lowerable pole	3220	3220
	Twilight Pearl/Metal	800	800
Min. inclination	Use as sun shading system	0°	0°
	Use as rain protection with drainage cutouts	10° ³⁾	12°
	Use as rain protection with lowerable pole	10° ³⁾	8°
Max. inclination	Use as sun shading system	45°	45°
	Use as rain protection with drainage cutouts	45°	45°
	Use as rain protection with lowerable pole	20°	20°

¹⁾ Order depths higher than 5 m only available up to 5 m order width. Max. order depth up to a max. inclination of 14°. For more details, see tables on page 99 and 100

²⁾ Max. area 24 m²

³⁾ Cover panel must be mounted at least horizontally

Note:

Generally only individual units available!

Lining up of several pergola awnings possible with flush closure.

When using Twilight Pearl, the fabric is fastened with a fabric strip visible at the side.

Rain protection

Pergola awning Perea P40

Curved rain protection P40

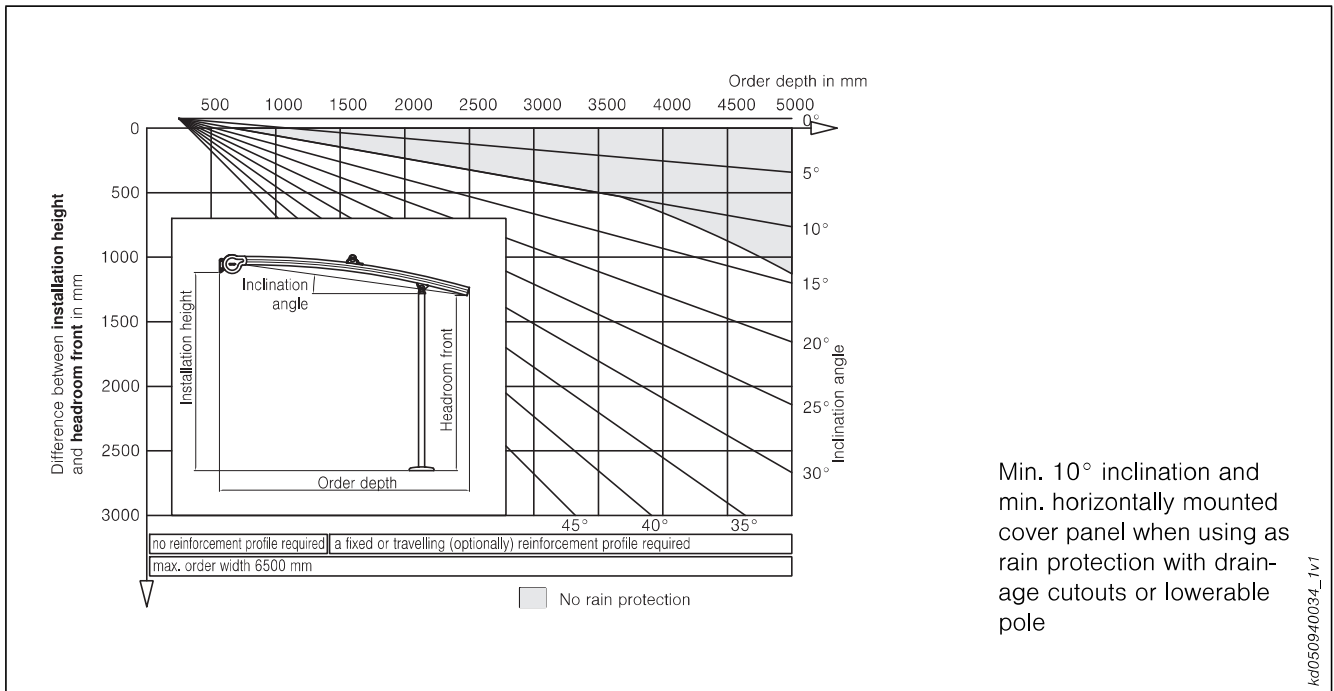


fig. 172: Pergola awning P40, curved

Straight rain protection P40

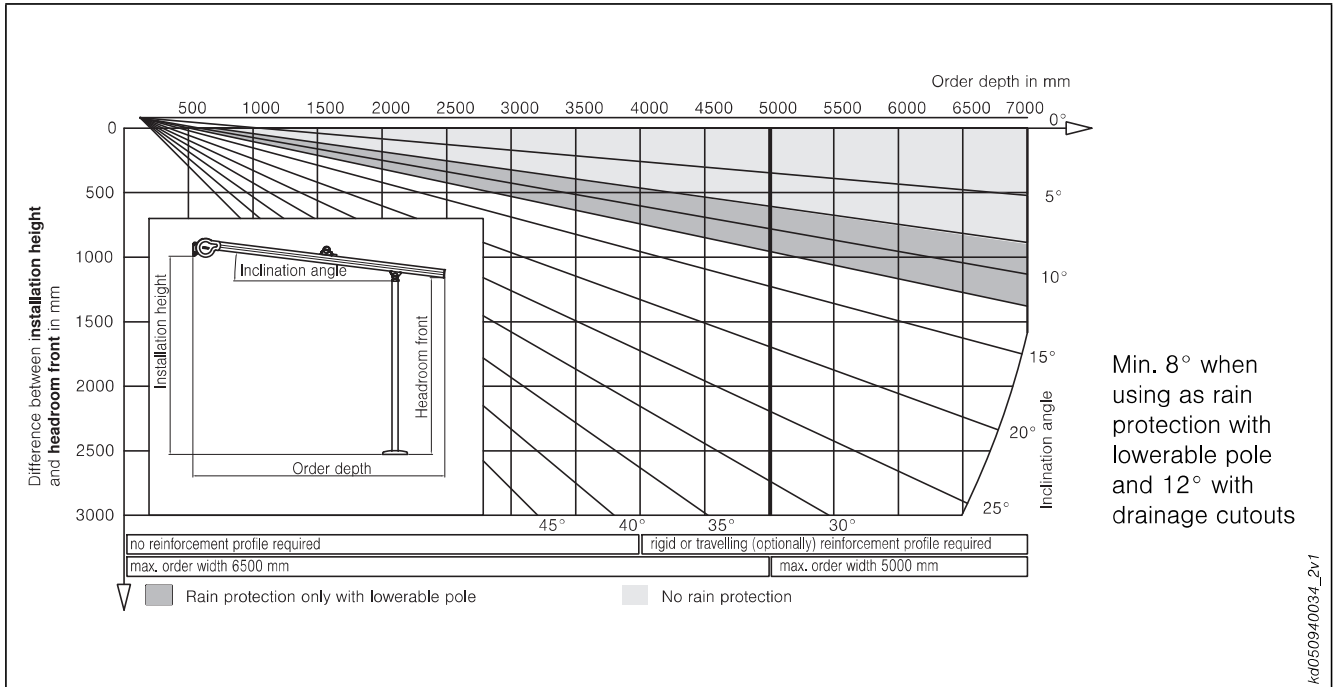


fig. 173: Pergola awning P40, straight

Rain protection

Pergola awning Perea P40

Minimum difference between mounting height and headroom

Clearance necessary to allow for rain protection. All details in mm.

Order depth	Min. difference in mm			
	Lowerable pole		Drainage cutouts	
	Curved guide rail Inclination >10°	Straight guide rail Inclination >8°	Curved guide rail Inclination >10°	Straight guide rail Inclination >12°
2000	-	-	250	330
2500	-	-	330	430
3000	415	330	415	540
3500	500	400	500	640
4000	650	470	650	750
4500	860	540	860	860
5000	1110	610	1110	960
5500	-	680	-	1070
6000	-	750	-	1180
6500	-	830	-	1280
7000	-	900	-	1385

Water drainage is only possible, when the awning is completely extended, otherwise there will be no rain protection and the awning can be damaged!

The cutouts have a diameter of 13 mm and are thermally sealed around their edges.

Position of drainage cutouts

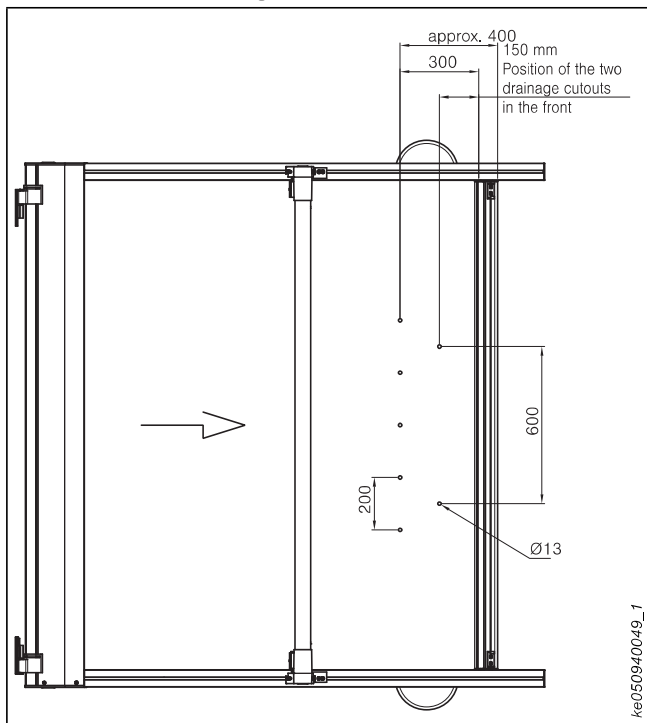


fig. 174: Position of drainage cutouts

Number of drainage cutouts

min. number of cutouts ¹⁾	up to an area of (Order depth x order width)
4	5.0 m ²
5	7.5 m ²
6	10.0 m ²
7	12.5 m ²
8	15.0 m ²
9	17.5 m ²
10	20.0 m ²
11	22.5 m ²
12	25.0 m ²
13	27.5 m ²
14	30.0 m ²
15	32.5 m ²
16	35.0 m ²

¹⁾ In order to ensure a symmetrical arrangement, an additional cutout may be necessary depending on the number of lengths of fabric. The two cutouts at 150 mm are included in the number.

Rain protection

Pergola awning Perea P40

Pole, lowered vertically

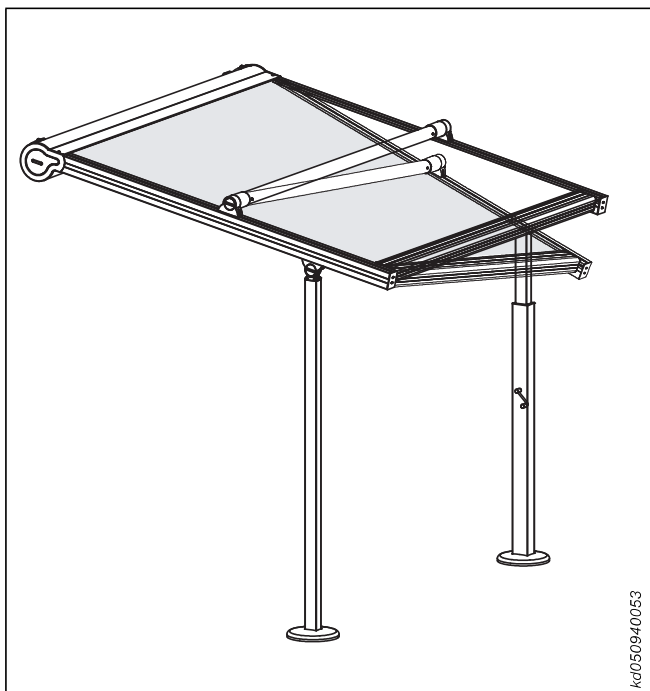


fig. 175: Drainage via lowerable poles

Water drainage is only ensured, when the pole is completely lowered and the awning is completely extended, otherwise there will be no rain protection and the awning can be damaged!

A combination of lowerable pole and travelling reinforcement profile as well as lowerable pole and an automatic control is not possible.

By lowering the pole the front profile is sloped so that the water is certain to drain to this side. The operation of the lowerable pole takes place via a crank. Please note the difference in the headroom when planning.

Series mounting of the awnings is only possible for up to 2 units. The lowerable poles are located in the respective outside.

Crank

Manual spindle drive of detachable crank and limit stop

Position: 910 mm from top edge of finished floor, pole inside

Ratio: 1:4

Material: aluminium with plastic handles

Surface: C0 anodised

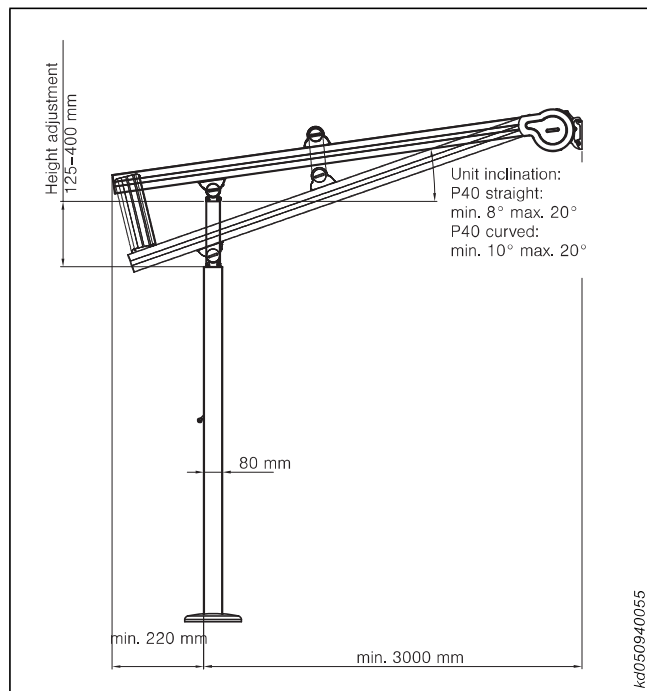


fig. 176: Lowerable pole, side view

Pole – bottom

Material: aluminium, extruded

Dimensions: 65x80 mm

Height: 1350–1625 mm

Surface: powder-coated

Pole – top

Material: aluminium, extruded

Dimensions: 45x60 mm

Surface: powder-coated

Offset: 220 mm to 1/3 of the order depth or max. 1200 mm

Rain protection

Pergola awning Perea P40

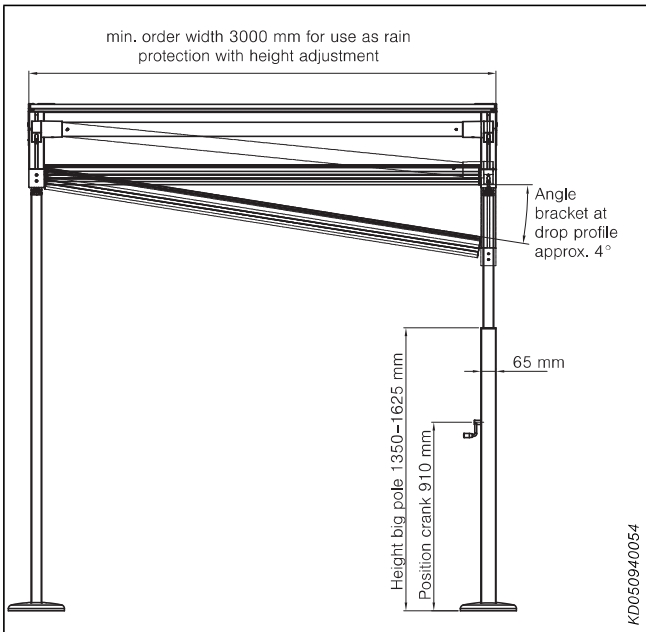


fig. 177: Lowerable pole, front

Height difference with lowerable pole

All details in mm with 4° inclination of the drop profile.

Order width	Height difference
3000	200
3500	235
4000	270
4500	305
5000	340
5500	375
6000	410
6500	445

Models

Pergola awning Perea P40

Models

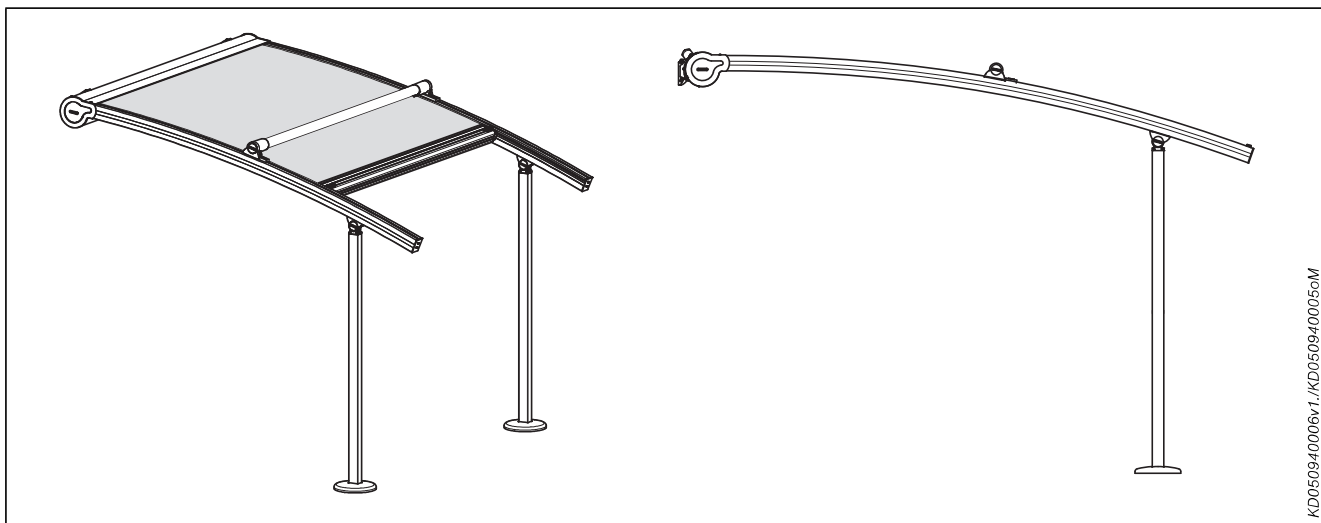


fig. 178: P40, curved guide rails

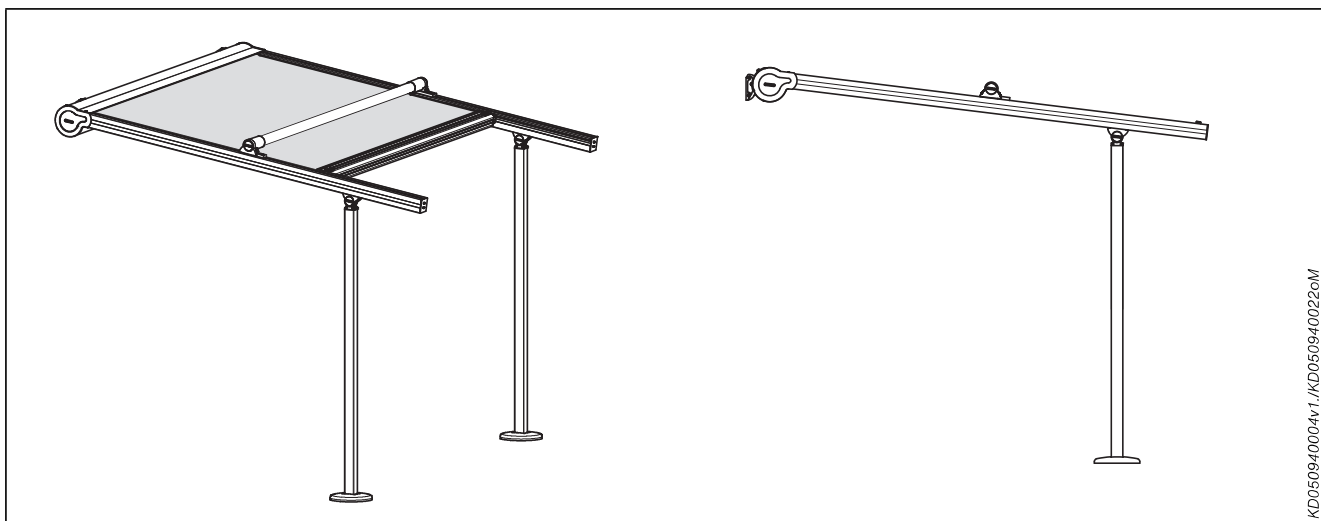


fig. 179: P40, straight guide rails