

## Description

### Pergola awning P60

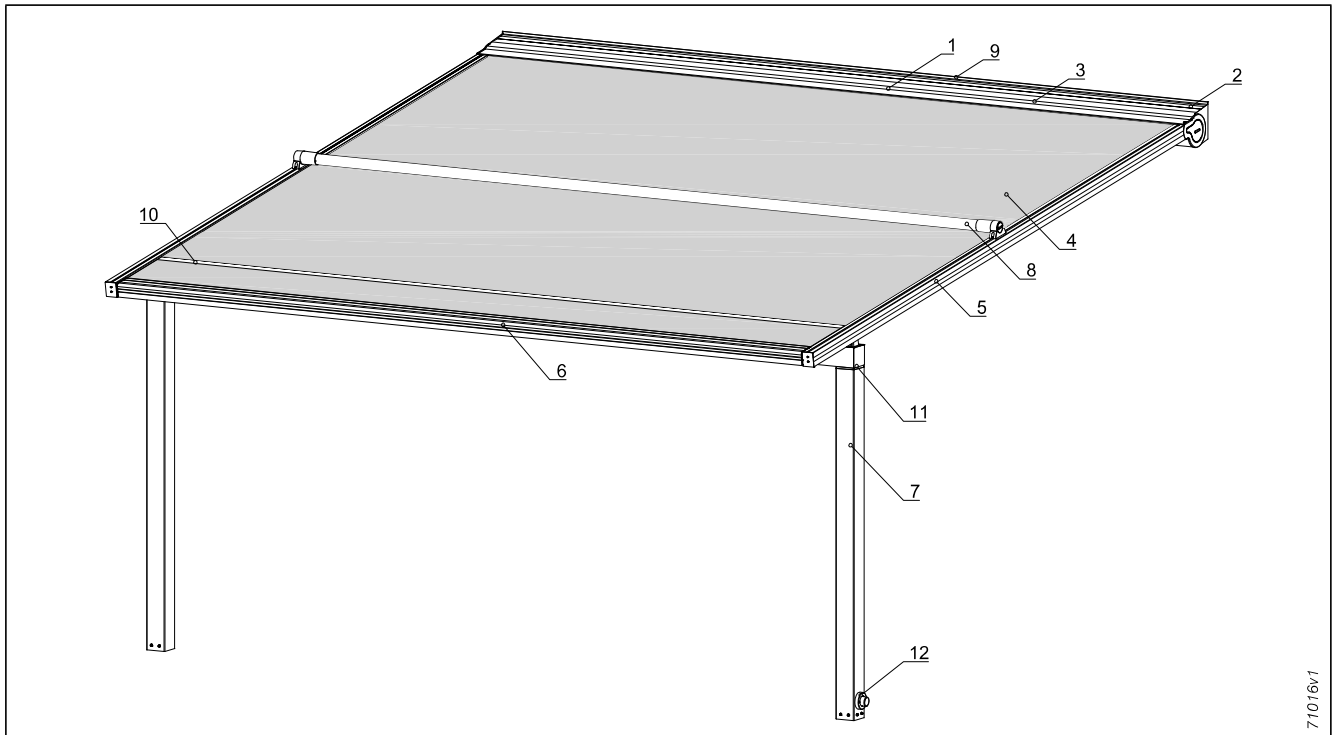


fig. 1: Pergola awning P60

- 1 Cover panel
- 2 Wall console
- 3 Shaft
- 4 Fabric
- 5 Lateral guidance with secudrive®
- 6 Front rail
- 7 Poles
- 8 Reinforcement profile
- 9 Wall connection profile
- 10 Drainage grid
- 11 Drainage gutter
- 12 Drainage in post

#### Application

Weather-proof, large-area sun shading system for shading residential and commercial areas.

The fabric is guided via the innovative secudrive® guide, whereby no water and light can penetrate between the guide rail and fabric. Drainage grid and gutter ensure defined water drainage.

Ground installation with frost-proof, on-site foundation, dimensions (HxWxL) 600x600x800 mm. Optional ground installation with on-site KRINNER ground screw.

#### Operation

##### Basic motor, 230 V, 50 Hz

WM REA with electronic limit switch-off (optionally with EWFS/WMS Plug receiver)

WMS Radio motor, 230 V, 50 Hz (optional)

WMS-PM with electronic limit switch-off

#### Cover panel (1)

Material: aluminium, extruded  
Dimensions (WxH): 210x180 mm  
Surface: powder-coated  
Fixing: by means of wall console/ceiling console/console for rafters

#### Console (2)

Wall, ceiling and rafter installation  
Material: aluminium, extruded  
Surface: powder-coated

#### Shaft (3)

##### Fabric shaft

Material: aluminium  
Material thickness: 1.6 mm  
Dimensions (Ø): 86.2 mm  
Profile: groove tube  
Surface: plain

##### Motor shaft

Material: aluminium  
Material thickness: 1.6 mm  
Dimensions (Ø): 70 mm  
Profile: groove tube  
Surface: plain

#### Fabric (4)

Fabric qualities: Sunworker Cristal  
Designs: according to current WAREMA awning collection

## Description

# Pergola awning Perea P60

### Lateral guidance (5)

#### with secudrive® in guide rail

Material: aluminium, extruded  
Dimensions (WxH): 65x80 mm  
Surface: powder-coated

A spring steel strip guides the fabric directly in the guide rail.

### Front rail (6)

Material: aluminium, extruded  
Dimensions (WxH): 113 x 74 mm  
Surface: powder-coated

### Fixing and connecting parts

within the awnings

Material: A2 steel or aluminium

### Poles (7)

Material: aluminium, extruded  
Dimensions: 111x111 mm  
Max. height: 2500 mm  
Surface: powder-coated  
Offset: fixed at 490 mm to the centre of the post

Ground installation with frost-proof, on-site foundation, dimensions (HxWxL) 600x600x800 mm. Optional ground installation with on-site KRINNER ground screw.

### Reinforcement profile (8)

The fixed reinforcement profile is in the centre at half order depth.

Dimensions (Ø): 60 mm  
Material: aluminium, extruded  
Surface: powder-coated

### Weight

approx. 15 kg/m of cover panel without consoles, without guide rails and poles.

### Wall connection profile (9)

Two-piece sealing between cover panel and wall

Material: aluminium, extruded and folded  
Dimensions (DxH): 150x50 mm  
Surface: powder-coated

### Drainage grid (10)

Material: PVC  
Colour: black  
Grid gap: approx. 30 mm  
Progression of the grid over the entire order width of the unit.

### Drainage gutter (11)

Material: aluminium, extruded  
Dimensions (WxH): 110x110 mm  
Surface: powder-coated  
Shape: rectangular

The drainage gutter is located below the drainage grid. The large drainage gutter with pre-installed cabling is always used for the model with window awnings with ZIP guidance laterally or at the front. For this, see fig. 12 on page 21.

### Drainage in post (12)

Drainage via drainage profile in post. The position of the outlet can be on any side of the pole.

### Colours

Powder coating of aluminium parts with chrome-free pre-treatment according to valid RAL CLASSIC colour chart (except camouflage and luminous colours) or in six DB colours as well as eight textured colours (W4914 – W4921), four anodised-look colours (WC31 – WC34) and further colours according to WAREMA Colour World (in WAREMA colour specification).

Other colour specifications and special colours are available on request and are subject to surcharge.

### Accessories

– see page 28.

### Wind resistance of extended unit

Perea pergola awnings correspond to DIN EN 13561 and achieve wind resistance class 3.

They are designed for wind loads of 1.1 kN/m<sup>2</sup> in the retracted position.

### Checklist

- Provide drawings of the pergola awning and/or the patio or provide a sketch and also a photo (if possible)
- Fabric colour
- Frame colour
- Determine position of drive (operation side of cover panel in direction of movement)
- Arrange for supply line on-site
- Arrange for housing of plug-in connector
- Pergola awnings require planning permission, depending on their overall size and the local regulations

### Safety instructions

- It is imperative that the installation instructions and the relevant appendices are adhered to.
- Accident prevention regulations from trade associations must be observed.
- Specifications of the manufacturers of screw anchors and fixing materials must be observed.
- The fixing points have to be checked once a year!

## Construction limit values

### Pergola awning Perea P60

#### Construction limit values in mm

	Type of fabric	Straight guide rail
Max. order width	Sunworker Cristal	6000
Min. order width	Sunworker Cristal	950
Max. order depth	Sunworker Cristal	5000
Min. order depth	Sunworker Cristal	800
Min. inclination		9°
Max. inclination		15°
Max. area		30 m <sup>2</sup>

#### Note:

Generally only individual units possible!

Lining up of several pergola awnings possible with flush closure.

The same construction limit values apply to the series-mounted units as they do to the individual units. A third pole is located in the centre, but the water must be drained via the two outer poles (see Fig. 2).

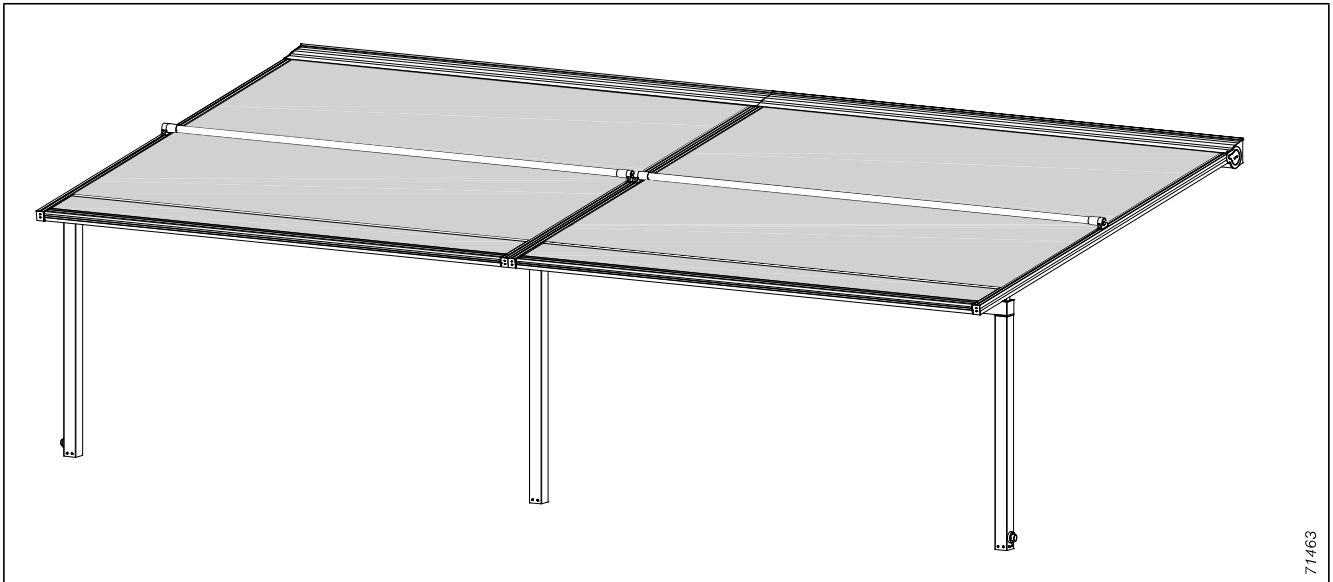


fig. 2: Series-mounted units P60

71463

# Rain-proofing Pergola awning Perea P60

## Rain-proofing P60

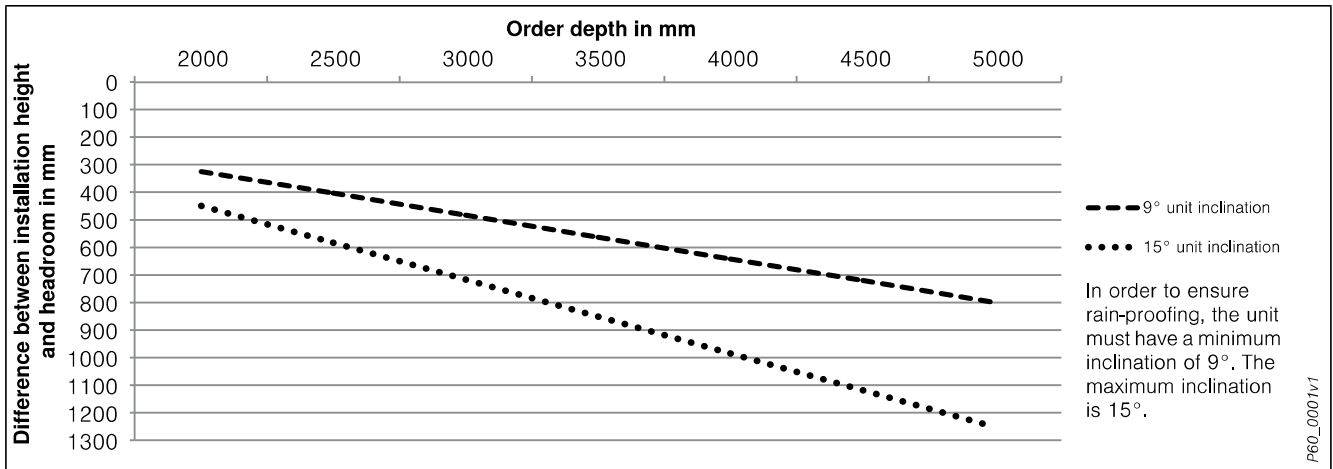


fig. 3: Pergola awning P60

## Sunworker Cristal

The Sunworker Cristal polyester mesh combines effective rain protection with pleasant lighting conditions.

Characteristics: rain-proof, transparent, tear-resistant

Fabric weight: 440 g/m<sup>2</sup>

Web width: 2960 mm

Processing: bonding

Building materials class: flame resistant according to DIN 4102-B1

## Difference between installation height and headroom

This relates to a difference range. In order to ensure rain-proofing, the unit must have a minimum inclination of 9°. The maximum inclination is 15°. All details in mm.

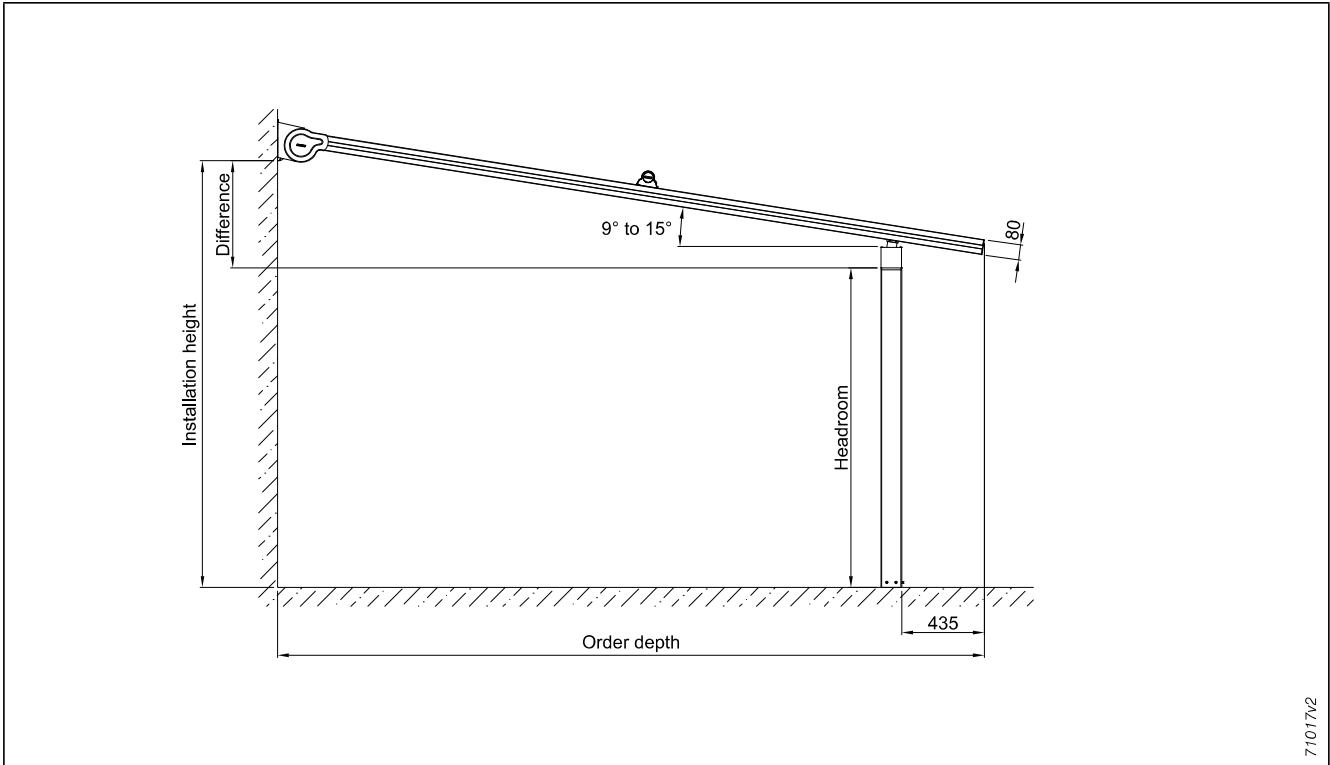
	Order depth in mm						
	2000	2500	3000	3500	4000	4500	5000
Difference between installation height and headroom 9°	324	403	483	562	641	720	799
Difference between installation height and headroom 15°	448	582	716	850	984	1118	1252

Water drainage in the drainage gutter is only ensured when the awning is fully extended. Please also note that water may run through the grid in the fabric and enter the drainage hole at the centre of the box when the unit is moving while wet. This can cause the rain-protected area to become wet when the unit is extended.

# Measuring instructions

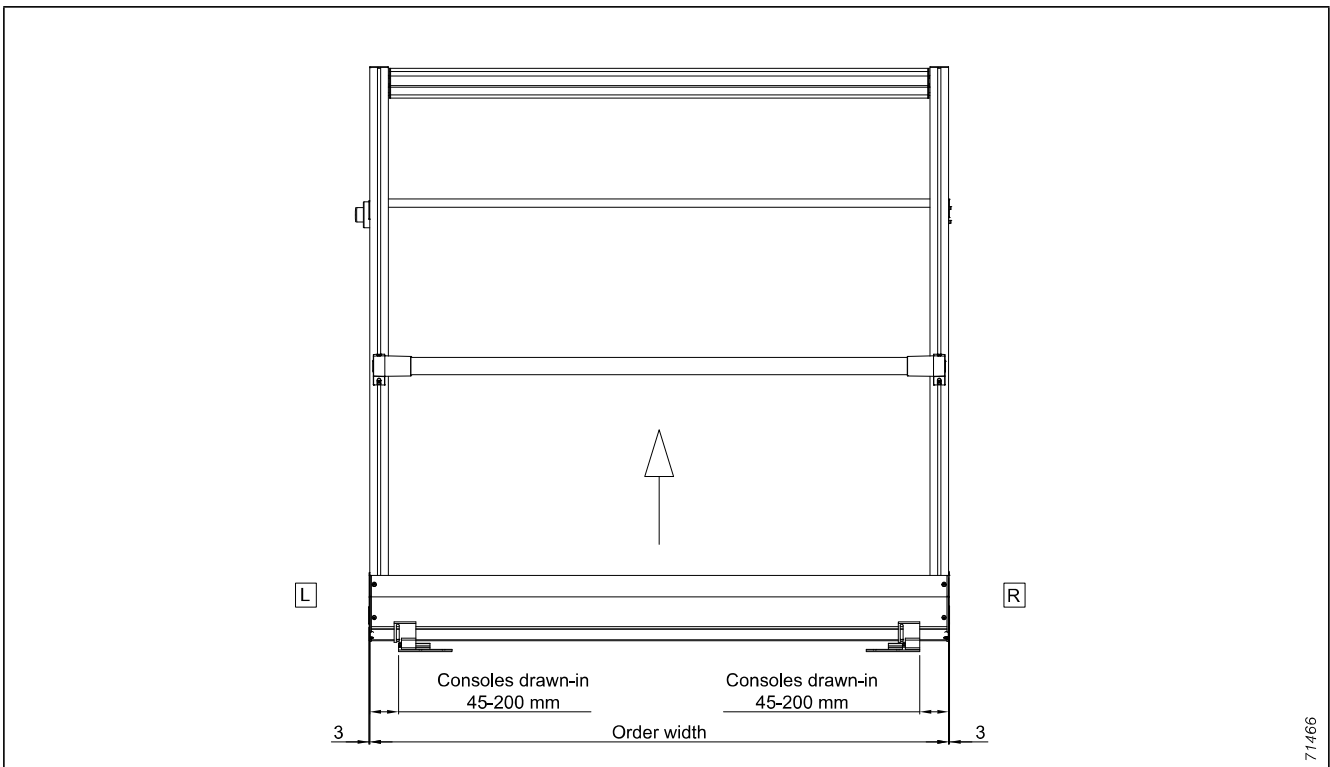
## Pergola awning Perea P60

Determining the installation height differs for ceiling console! See page 24



71017v2

fig. 4: Measuring instructions



71466

fig. 5: Top view for individual units